



Canada House, 1 Carrick Way, New Milton
Hampshire, UK, BH25 6UD
Tel : 01425 620210 Fax : 01425 638443
sales@newtechsouthern.co.uk www.newtechsouthern.co.uk

HOUSEBELL SERIES 5

To provide a Visual Indication throughout the home for the Door, Door Entry and the Telephone.



Operation

The Housebell Series 5 Unit causes the main overhead lights to Flash or Dim whenever the Doorbell, Telephone or Door Entry System are activated. The Housebell Series 5.0 will operate the lights in a Flat, Bungalow or House both upstairs and downstairs. The Housebell also allows an AC or DC Audible Bell to be connected (*See Connection Diagram*). **** Please Note - A Telephone Adaptor Unit TPA3 will be required to connect the Housebell unit to the telephone line , and a Door Entry Unit DE4 will be required to connect the Housebell to a Door Entry System.**

Loading Rules - The maximum loading must be 630W total loading.

Switches - These are located on the front panel, so they are easy to operate.

The **Day/Night** switch is identified with the Sun/Moon symbol. When selected accordingly, will cause the house lights to flash *On* and *Off* during the day, and *DIM* at night time.

Safety

The Series 5.0 includes certain features to ensure that under all conditions, the Unit is completely safe. For example; Two internal Fuses protect the Unit against over current or excess heat increase and automatically disconnects the Unit should a problem arise. If a fuse should blow, the BYPASS switch can be operated to disconnect the Unit from the supply and restore the house lights to normal until such time that the fault can be rectified. The Series 5.0 now includes additional Lighting Circuit Protection Fuses which are mounted on the front panel. The fuse(s) rated 6A (T) are included to protect the Unit against sudden power surges. A second useful feature of the BYPASS is to prevent operation of the house lights if the occupant should be away from home. For example, away on holiday.



Canada House, 1 Carrick Way, New Milton
Hampshire, UK, BH25 6UD
Tel : 01425 620210 Fax : 01425 638443

sales@newtechsouthern.co.uk www.newtechsouthern.co.uk

Housebell Series 5.0 Installation Instructions

- The Unit is wired into the Main Lighting Circuit in the home, and must be installed by a Qualified Electrician.
- For connection of the Telephone Adaptor Unit TPA3 and the Door Entry Unit DE4, use ONLY Stranded Conductor Alarm or Bell Wire, NOT Solid Conductor or Telephone Wire. *See back page for Circuit Diagram.*
- **Note. This Unit cannot be used with an Illuminated Door Push.**
 - **Important** This Unit is intended for wall mounting only.
- Also, it is not recommended that the Series 5.0 be used on Circuits where Fluorescent Tubes are used as the long start up time can interfere with the Housebell.

Remove top cover by unscrewing the two screws and remove the front panel by, separating (*push apart*) the Plug-In Terminal Blocks from the base of the Unit.

1.

Please ensure connection is to the Lighting Circuit Only, with a 6 Amp maximum rating.

2.

Install the base Unit at a convenient place for the occupant, using the keyhole slots for mounting. Position the Unit so that the DAY/NIGHT switch can be easily operated, and as close as possible to the Fuse Box to keep mains length to a minimum.

3.

AC Doorbell Connection. For external audible bell, connect to 0 and 2 in base of Unit as per Diagram. *Note.* This Unit incorporates a Transformer Supply (9V AC) Pins 0 and 2 for an external bell. Be sure to disconnect any existing Bell Transformer.

4.

DC Doorbells (Battery Operated). Remove batteries from the bell and connect to 4 and 5 (as per diagram), on the base of the Unit. *Note.* This Unit Supplies (9V DC) Pins 4 and 5 for an external Bell.

Be sure to disconnect any existing Bell Transformer or batteries.



Canada House, 1 Carrick Way, New Milton
Hampshire, UK, BH25 6UD
Tel : 01425 620210 Fax : 01425 638443

sales@newtechsouthern.co.uk www.newtechsouthern.co.uk

Housebell Testing & Operation

1.

Press **BYPASS/On** switch to **ON**. Switch **DAY/NIGHT** switch to **DAY**.

2.

Turn room wall light switch **ON**.

3.

Press Door-push. The lights should come ON and go OFF when the Door-push is released.
There will be a short delay before the Low Energy bulbs react.

4.

Turn the **DAY/Night** switch to the **NIGHT** position. The room light should now be on. Press the Door-Push.

5.

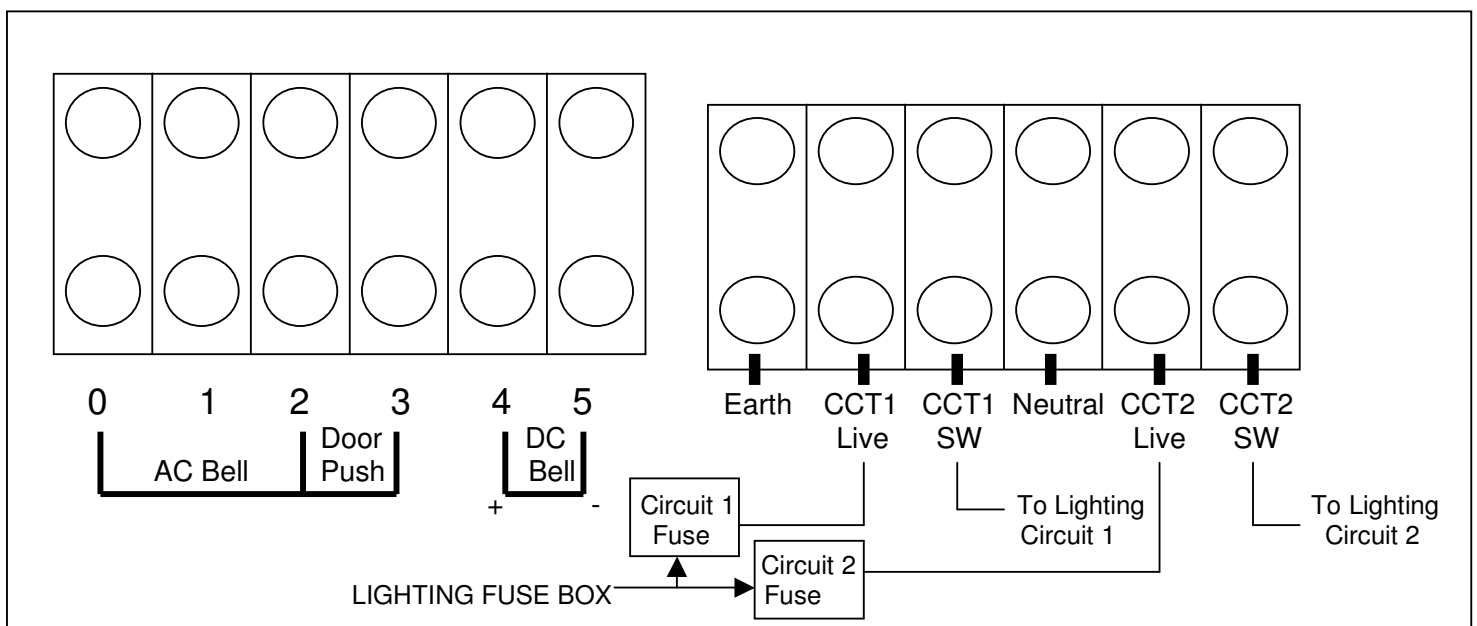
The Unit is supplied as a *Dimming Unit*, which causes the lights to *Dim* to half brightness when the Door-push is pressed.

6.

BYPASS Operation. To check the correct operation of this Unit, turn the **BYPASS/ON** switch to the **BYPASS** position. Operation of the Door-push will have no effect on the lights as the Unit is effectively bypassed.

Note. The Mains Indicator will remain lit, and any Audible Ringing Bell will still operate as normal.

Series 5.0 Housebell Connecting Diagram (Internal Connections).





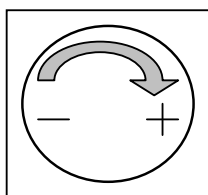
Canada House, 1 Carrick Way, New Milton
 Hampshire, UK, BH25 6UD
 Tel : 01425 620210 Fax : 01425 638443
sales@newtechsouthern.co.uk www.newtechsouthern.co.uk

HOUSEBELL SERIES 5 AND ENERGY SAVING LIGHT BULBS

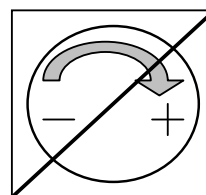
It has come to our attention that there have been compatibility problems with energy saving light bulbs and the Housebell Series 5 unit. The recent expansion of suppliers of energy saving bulbs has resulted in an overwhelming variety being made available to customers.

As the Housebell Series 5 has been developed as a dimming unit, the only energy saving light bulbs that will work correctly are bulbs marked as DIMMERABLE or DIMMABLE. These bulbs can clearly be identified by the following symbols on their packaging.

DIMMABLE BULB



NON-DIMMABLE BULB



We recommend using **Energy Saving Halogen GLS Bulbs** .

These bulbs offer a 30% energy saving over their 2000 hours average life, compared to the old style GLS bulbs. They are easily purchased from most large supermarkets or DIY stores, or they also can be ordered direct from Newtech Southern Ltd. See prices below.

Energy Saving Halogen Bulbs

		1 - 9 each	10 + each	
(HBS5B-28)	28 Watt	Equivalent to 40 Watt	£1.72	£1.55
(HBS5B-42)	42 Watt	Equivalent to 60 Watt	£1.72	£1.55
(HBS5B-72)	70 Watt	Equivalent to 100 Watt	£1.72	£1.55
	Postage	Free	Free	Free

If you have any other queries regarding the Housebell Series 5 please contact our office and we will be happy to answer any questions you may have.